



NESSCAP® Ultracapacitor Products

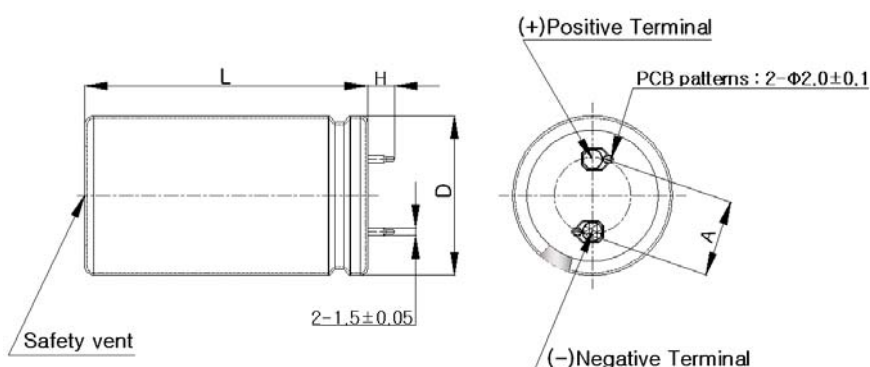
Features

EDLC(Electric Double Layer Capacitor)
 Two snap-in terminals and radial design
 Compliant with RoHS requirement (Ex : Cd, Pb)



Dimension

Dimension in mm (not to scale)



Capacitance	Dimension (mm)			
	D (+1.0)	L (+2.0)	H (\pm 1.0)	A (\pm 0.2)
100F	22	45	6.0	10.0

Product & Spec.

Rated Capacitance	Internal Resistance (m Ω)		Max. Current (A)	Leakage Current (mA)	Stored Energy (Wh)	Specific Energy (Wh/kg)	Weight (g)	Part Number
	Discharge with constant current at 25°C	AC(1kHz)						
100F	< 9	< 12	61.4	0.26	0.101	4.81	21.0	ESHSR-0100C0-002R7

Rated Voltage, V_R	2.7 V	
Surge Voltage	2.85 V	
Capacitance Tolerance	0% / +20%	
Operating Temperature Range	-40 ~ 65 °C	ΔC < 5% and ΔESR < 0.5 times of initially measured value at 25°C, respectively
Storage Temperature Range	-40 ~ 70 °C	
Life Time at RT ⁽¹⁾	10 years	(1) ΔC < 30% and ΔESR < 1 times of initially specified value , respectively and LC < specified value
Cycle Life (25°C) ⁽¹⁾⁽²⁾	500,000 cycles	(2) Cycle : between rated voltage and half rated voltage under constant current at 25°C

* Life time is provisional value

© NESSCAP 2008. All Rights reserved. Design, Specifications are subjected to change without notice.